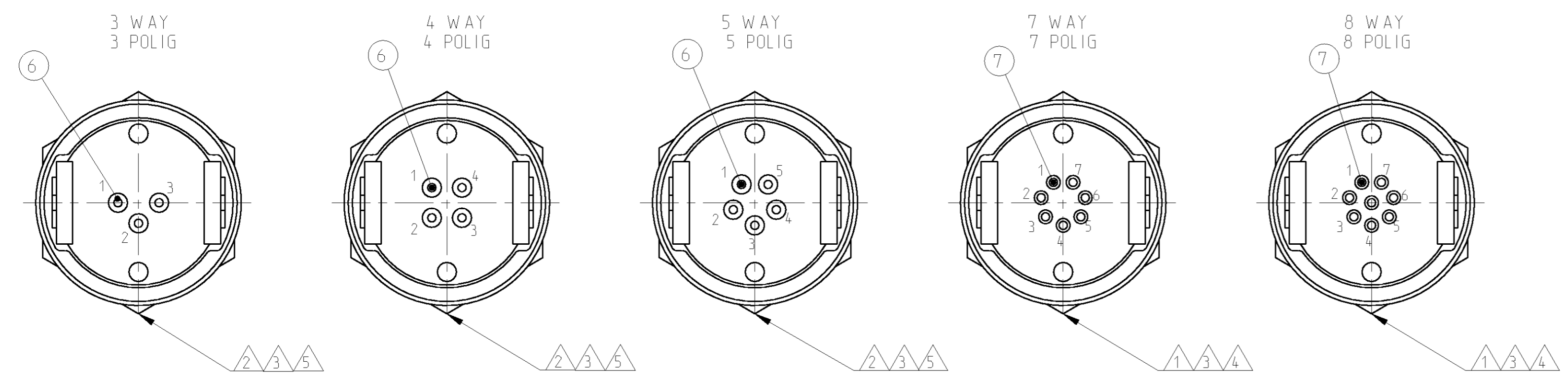
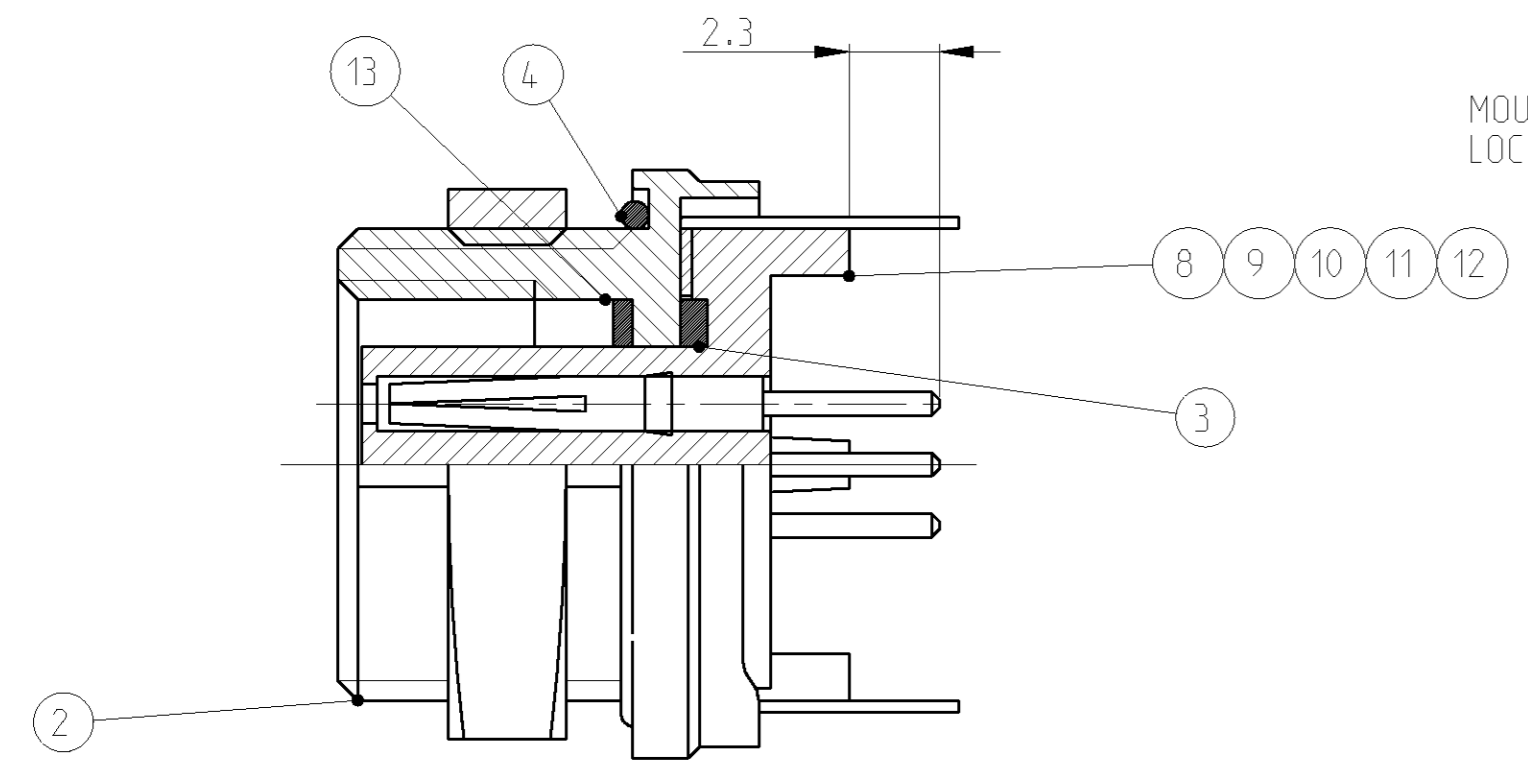
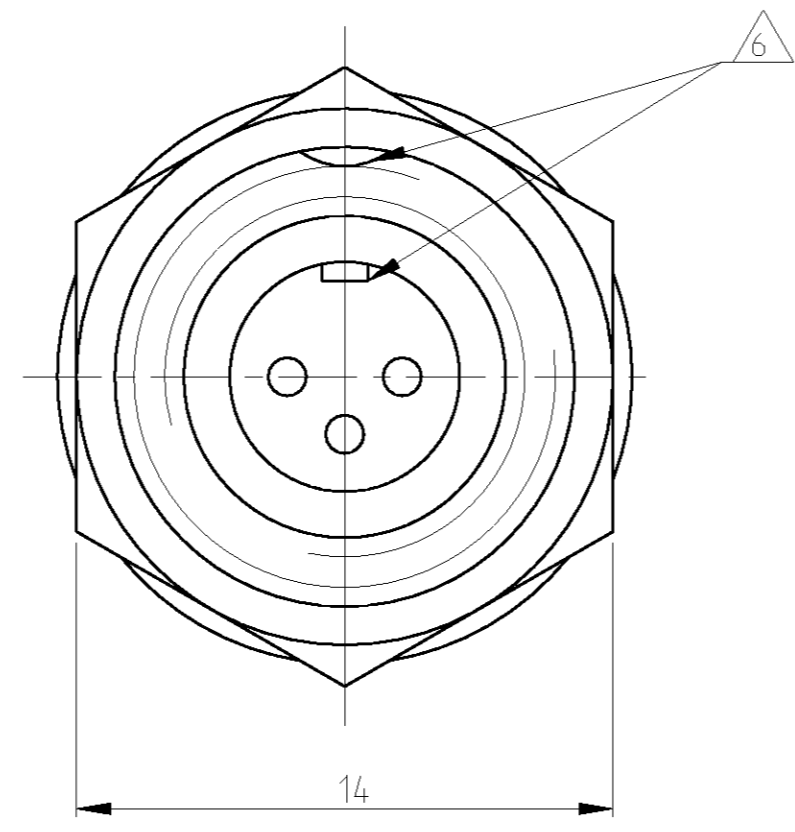
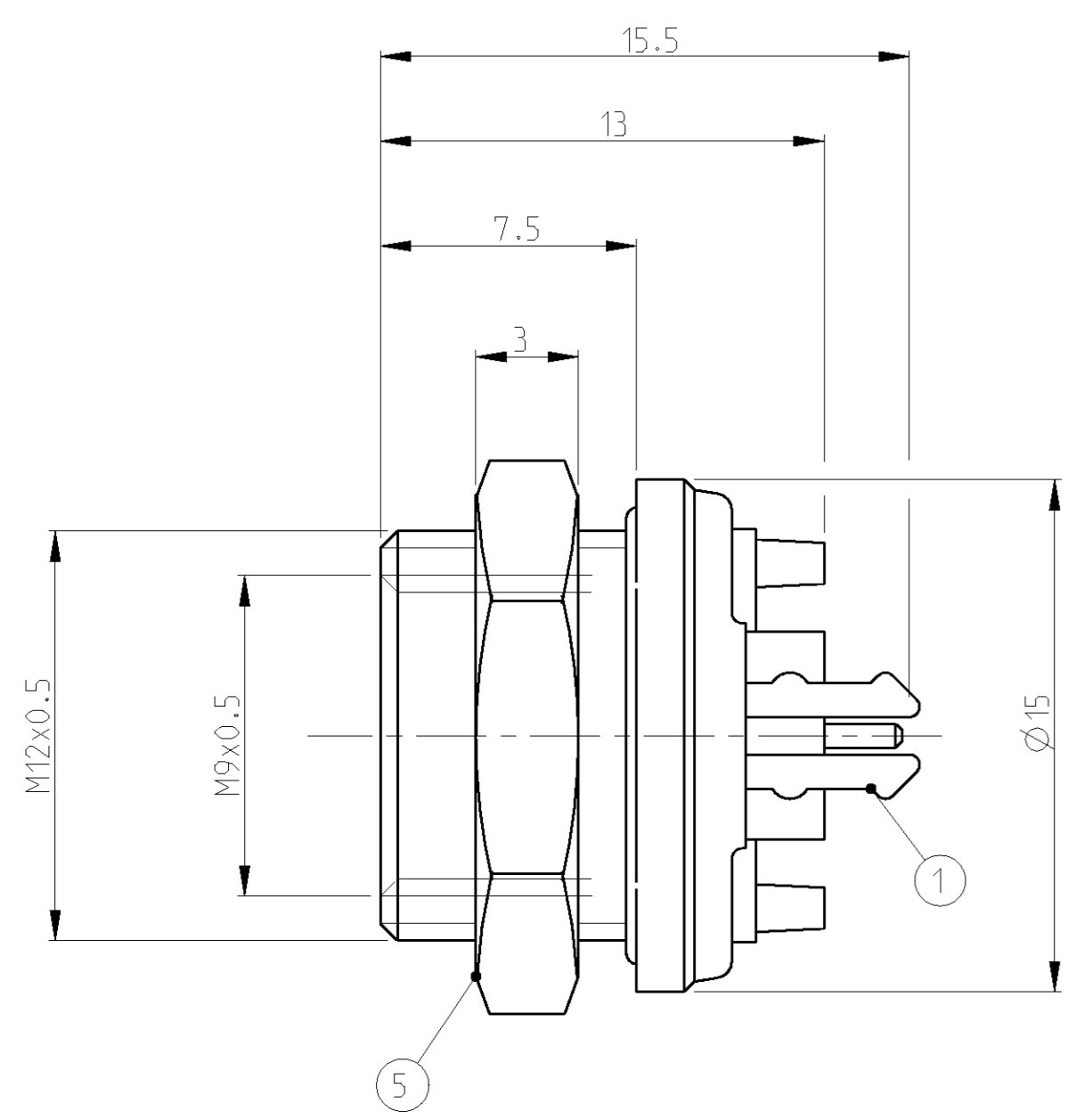
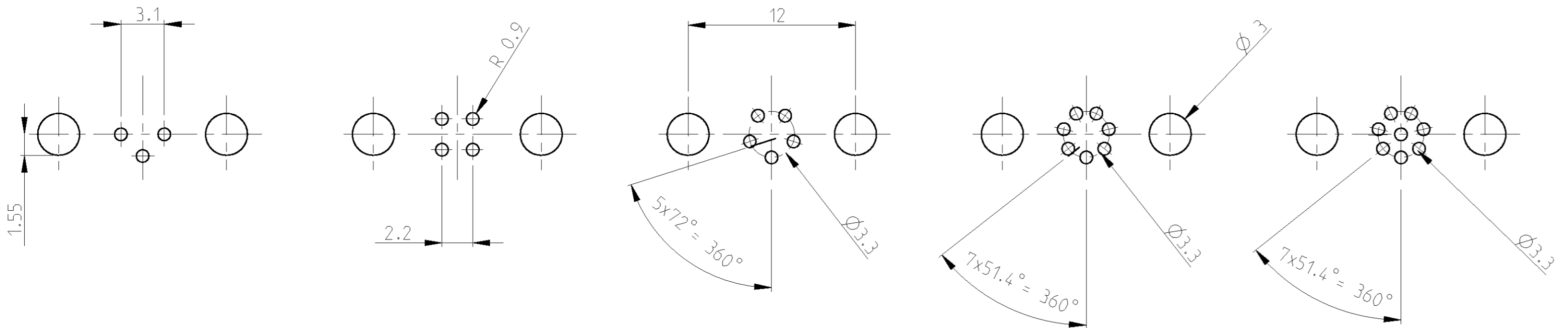


LOC	DIST	P	LTR	REVISIONS	DATE	DWN	APPR
				ANÄNDERUNGEN			
				BESCHREIBUNG			
A1	-			EG00-0576-01	18JUN2001	NG	GF



PCB HOLES
 PCB THICKNESS 1.6 mm MAX.
 PCB LOCHBILD
 PCB DICKE 1.6 mm MAX.



MOUNTING HOLE DIMENSION
 LOCHBILD FUER MONTAGE

MATERIAL / MATERIAL: PBT, UL-94 V2	△7
SHELL MATERIAL / GEHAUEMATERIAL: CUZN	
FINISH / BESCHICHTUNG: TRIBOR 4 µm	
CODING / KODIERUNG	△6
WIRE GAGE / DRAHTGROSSE IN mm ² : 0.25	△5
WIRE GAGE / DRAHTGROSSE IN mm ² : 0.14	△4
CONTACT RESISTANCE / KONTAKTWIDERSTAND: => 5 mΩ	△3
RATED CURRENT PER CONTACT / NENNSTROM PRO KONTAKT: 3 A	△2
RATED CURRENT PER CONTACT / NENNSTROM PRO KONTAKT: 1 A	△1
SHELL PROTECTION CLASS / SCHUTZKLASSE: IP 65 / DIN 40050	
TERMINATION: SOLDERING / VERBINDUNG: LOETKONTAKTE	
TEST VOLTAGE / PRUEFSPANNUNG: 500 VAC	
OPERATING VOLTAGE / BETRIEBSSPANNUNG: 60 VAC	
OPERATING TEMPERATURE: -40°C TO +80°C / ARBEITSTEMPERATUR: -40°C BIS +80°C	
MATING CYCLES / STECKZYKLEN: 500 MAX.	
TECHNICAL DATA TECHNISCHE DATEN	

TYCO-NO. / TYCO NR.			
7-1437719-8	7-1437719-5	7-1437719-2	6-1437719-9
1	1	1	1
1			
	1		
		1	
8	7		
		5	4
1	1	1	1
1	1	1	1
1	1	1	1
1	1	1	1
1	1	1	1
-	-	-	-
QTY REQD PER ASSY			
CATALOG-NO.		DESCRIPTION / BESCHREIBUNG	
CATALOG-NO.		PARTS LIST / TEILE LISTE	
CATALOG-NO.		ITEM-NO. TEIL-NR.	
REVISION OF EACH ASSY NO. (WHEN BLANK, USE DWG REV.)			
CATALOG-NO.		ITEM-NO. TEIL-NR.	

DIMENSIONS: MASSENHEITEN: (mm)	TOLERANCES: ALLGEMEINTOLERANZ	OTHERWISE SPECIFIED: SONSTIGES ANGEWENDET	FINISH: ANGEWENDETE BEFINNUNG	WEIGHT: GEWICHT	CUSTOMER DRAWING	DWN: H. GEISLER CDR: H. SCHERER APVD: G. FELDMEIER	DATE: 18JUN2001	tyco Electronics AMP GmbH D - 64625 Bensheim
MATERIAL: -		FINISH: -		WEIGHT: -		DATE: 18JUN2001		NAME: T01 FEMALE PLUG CONN. PANEL MNT. PCB VER. 3-8 POS. 180 DGR. T01 BUCHSENSTECKER.EINBAU.PCB VER. 3-8 POL. 180 GRAD
SIZE: A1		CASE CODE: 00779		DRAWING NO.: 6-1437719-6		RESTRICTED TO: -		
SCALE: -		SHEET: 1 OF 1		REV: A1		CUSTOMER DRAWING		

6-1437719-6 AS SHOWN
 WIE GEZEICHNET